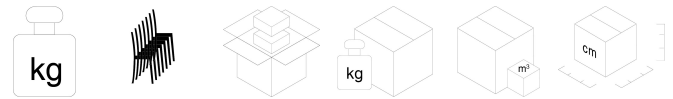
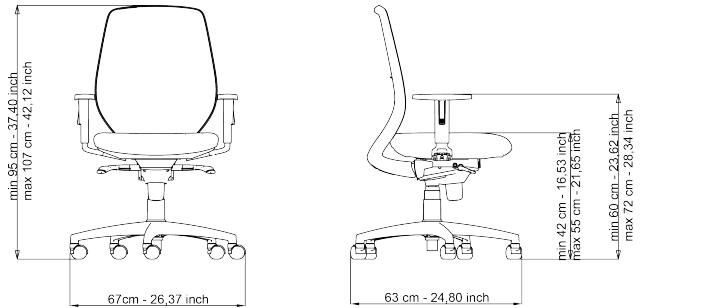


POST

Design Luxy R&D

article: P30 3
code: 4POGI82



15,5 no 1 17,5 0,22 48x69x66



Warranty: 5 years

DESCRIPTION

Task chair, high mesh back, lumbar support, adj. Armrests 2D, synchro, plastic, nylon base and castors Ø 50 mm black.

FINISHING: black plastic.

BACK: self-supporting mesh with black nylon structure and lumbar support.

SEAT: foam polyurethane upholstery density 40 kg/m³ with covering carter.

ARMRESTS: 2D armrest: height and depth adjustable with upper pad in rigid polyurethane, in black.

MECHANISM: synchro.

BASE: in black ral nylon (standard matched to plastic color).

CASTORS: self-braking, Ø 50 mm, rubber black (standard matched to plastic color).

MAINTENANCE

CHROME PLATED PARTS: Clean with a soft cloth with some neutral detergent to polish the steel.

PAINTED PARTS: Clean with soft cloth dampened slightly with water and dry with a dry cloth.

PLASTIC PARTS: Use soft cloth dampened slightly with water, without insistance, then dry with a dry cloth

ALUMINIUM PARTS: To clean use only specific products to polish metal parts in order to reduce the natural oxidation due to the hands contact. The aluminum parts tarnish naturally. LUXY recommends not using chemical detergents.

FABRIC: Fabric: pour some drops of neutral detergent on a damp and wringed out cloth, rub gently on the seat and leave it dry. See maintenance instructions on LUXY upholstery book. Luxy recommends using ecological products.

LEATHER: Leather is a natural product. Imperfections give to the material its unmistakable aspect. In presence of marks, they have to be removed with a soft wool cloth. In case of ingrained stains, use only products for leather coloured with aniline. Do not expose leather to direct sunlight. Luxy recommends using ecological products.

CASTORS/FEET: For the enduser security and for different types of floor, different types of castors are available, as per security rules:
- hard castors for sift floors
- rubber castors for hard floors (standard).

MATERIAL AND RECICLABILITY

